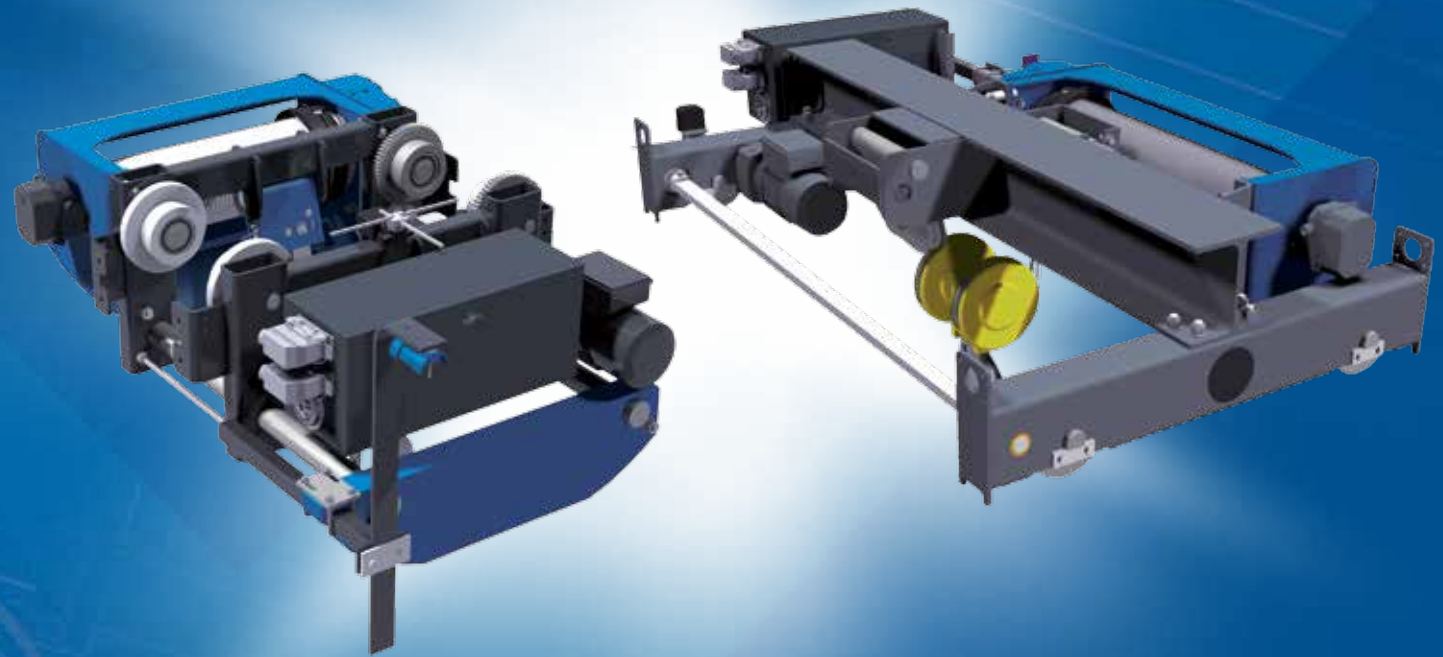


CHARIOTS TREUILS ÉLECTRIQUES À CÂBLE TH - PIÈCES DÉTACHÉES

ELECTRICAL WIRE ROPE HOIST TROLLEY TH - SPARE PARTS

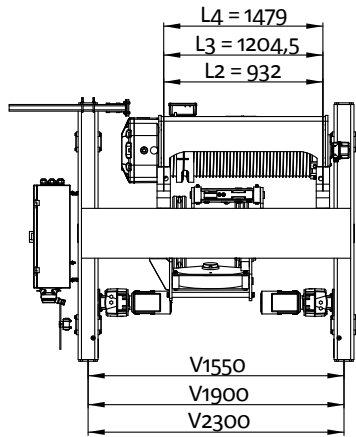


TH

TYPES BIRAILS
BIRAIL TYPES

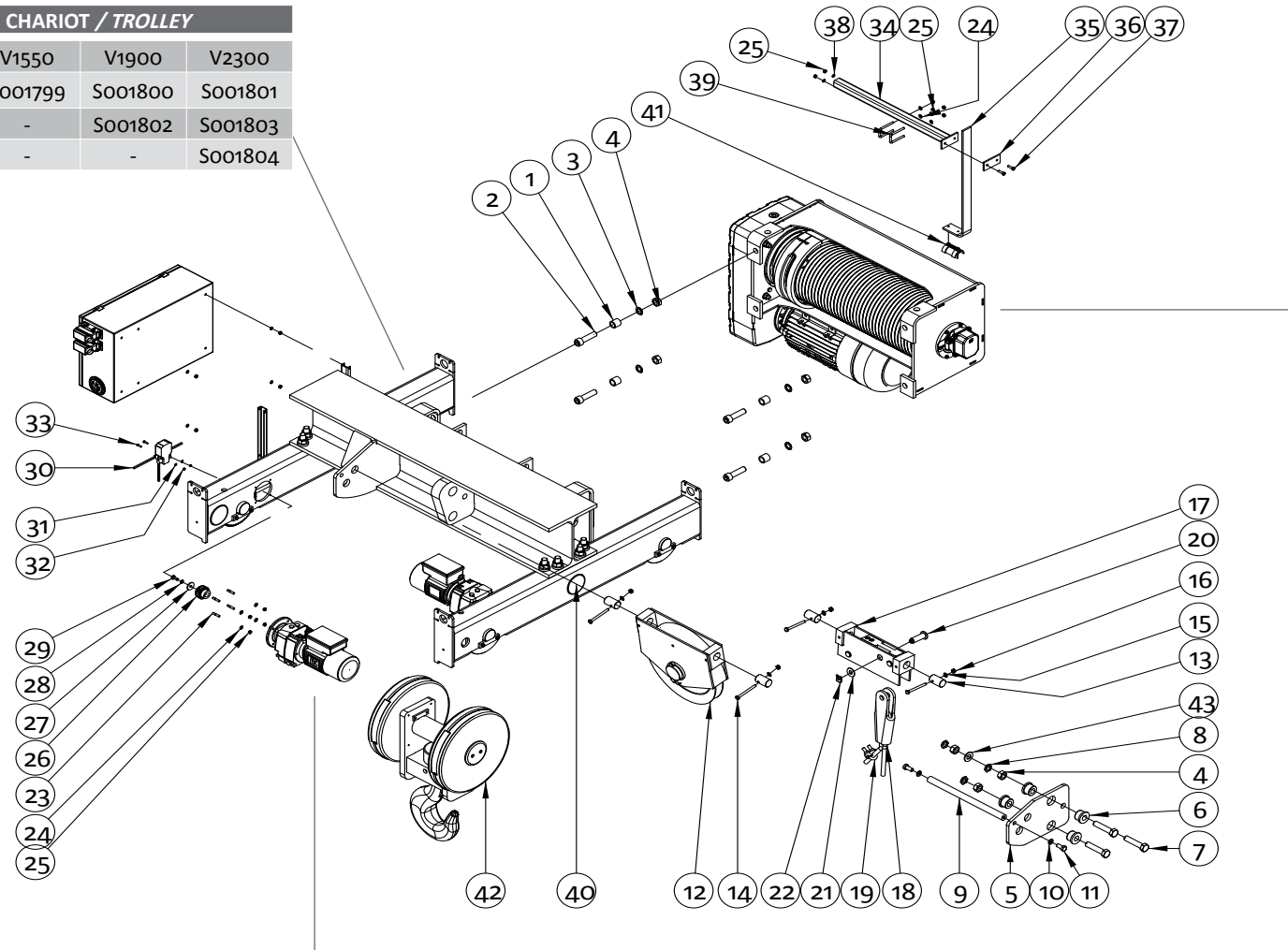


ADC
FAYAT GROUP



CHARIOT / TROLLEY			
	V1550	V1900	V2300
L2	S001799	S001800	S001801
L3	-	S001802	S001803
L4	-	-	S001804

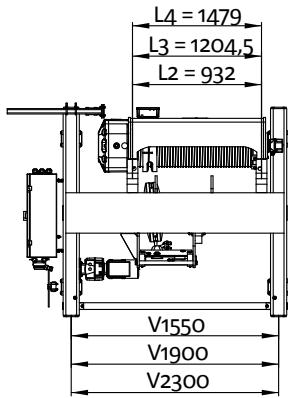
REP MARK	REFERENCES	QTE QTY	REP MARK	REFERENCES	QTE QTY
			22	S001498	1
1	S001661	4	23	LV7557	8
2	LB00841	4	24	LJ7304	12
3	S003303	4	25	LH7062	18
4	LH7070	7	26	S001722	2
5	S001512	1	27	S001157	2
6	DP4858	4	28	LJ7323	2
7	LA00457	3	29	LA7012	2
8	LH7056	3	30	YJ3650	1
9	S001730	1	31	LJ7300	2
10	LJ7326	2	32	LH7060	2
11	LA7041	2	33	LA7000	2
12	S001688	1	34	S001732	1
13	S001664	4	35	DR2405	1
14	LA00183	4	36	DR7747	1
15	LJ7287	4	37	LA7006	2
16	LH7177	4	38	LJ7322	6
17	S001685	1	39	LW00407	2
18	ED3550	1	40	LW7695	4
19	LT7713	1	41	MA2612	1
20	S001643	1	42	S003683	1
21	LJ00051	1	43	LJ7307	1



MOTOREDUCTEUR DE DIRECTION / TRAVERSING GEARMOTOR		
	400V/50HZ(480V/60HZ)	380V/60HZ
16/4 m/min	S003873	S003876
20/5 m/min	S003874	S003878
variation	S003809	S003809

UNITE DE LEVAGE / LIFTING UNIT				
	V/HZ	L2	L3	L4
VL1	400/50 (480/60)	S001810	S001814	S001818
VL1	380/60	S001811	S001815	S001819
VL2	400/50 (480/60)	S001812	S001816	S001820
VL2	380/60	S001813	S001817	S001821

TH 2/1 VL1-VL2 BIRAIL

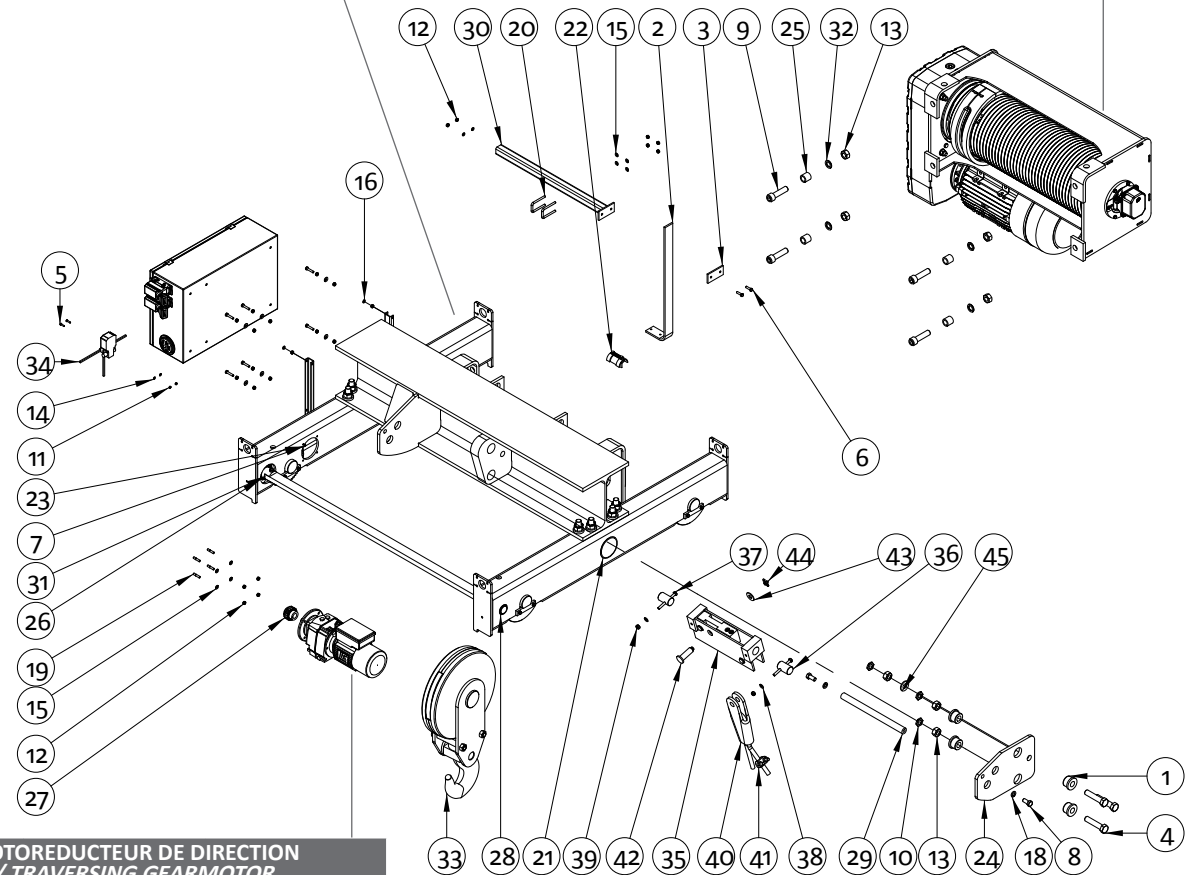


CHARIOT / TROLLEY			
	V1550	V1900	V2300
L2	S001799	S001800	S001801
L3	-	S001802	S001803
L4	-	-	S001804

UNITE DE LEVAGE / LIFTING UNIT				
	V/HZ	L2	L3	L4
VL1	400/50 (480/60)	S001810	S001814	S001818
VL1	380/60	S001811	S001815	S001819
VL2	400/50 (480/60)	S001812	S001816	S001820
VL2	380/60	S001813	S001817	S001821

REP MARK	REFERENCES	QTE QTY	REP MARK	REFERENCES	QTE QTY
			23	S001157	1
1	DP4858	4	24	S001512	1
2	DR2405	1	25	S001661	4
3	DR7747	1	26	S001719	2
4	LA00457	3	27	S001722	1
5	LA7000	2	28	S001725	2
6	LA7006	2	29	S001729	1
7	LA7012	1	30	S001732	1
8	LA7041	2	31	S001772	1
9	LB00841	4	32	S003303	4
10	LH7056	3	33	S003687	1
11	LH7060	2	34	YJ3650	1
12	LH7062	14	35	S001685	1
13	LH7070	7	36	S001664	2
14	LJ7300	2	37	LA00183	2
15	LJ7304	8	38	LJ7287	2
16	LJ7322	6	39	LH7177	2
17	LJ7323	1	40	ED3550	1
18	LJ7326	2	41	LT7713	1
19	LV7557	4	42	S001643	1
20	LW00407	2	43	LJ00051	1
21	LW7695	2	44	S001498	1
22	MA2612	1	45	LJ7307	1

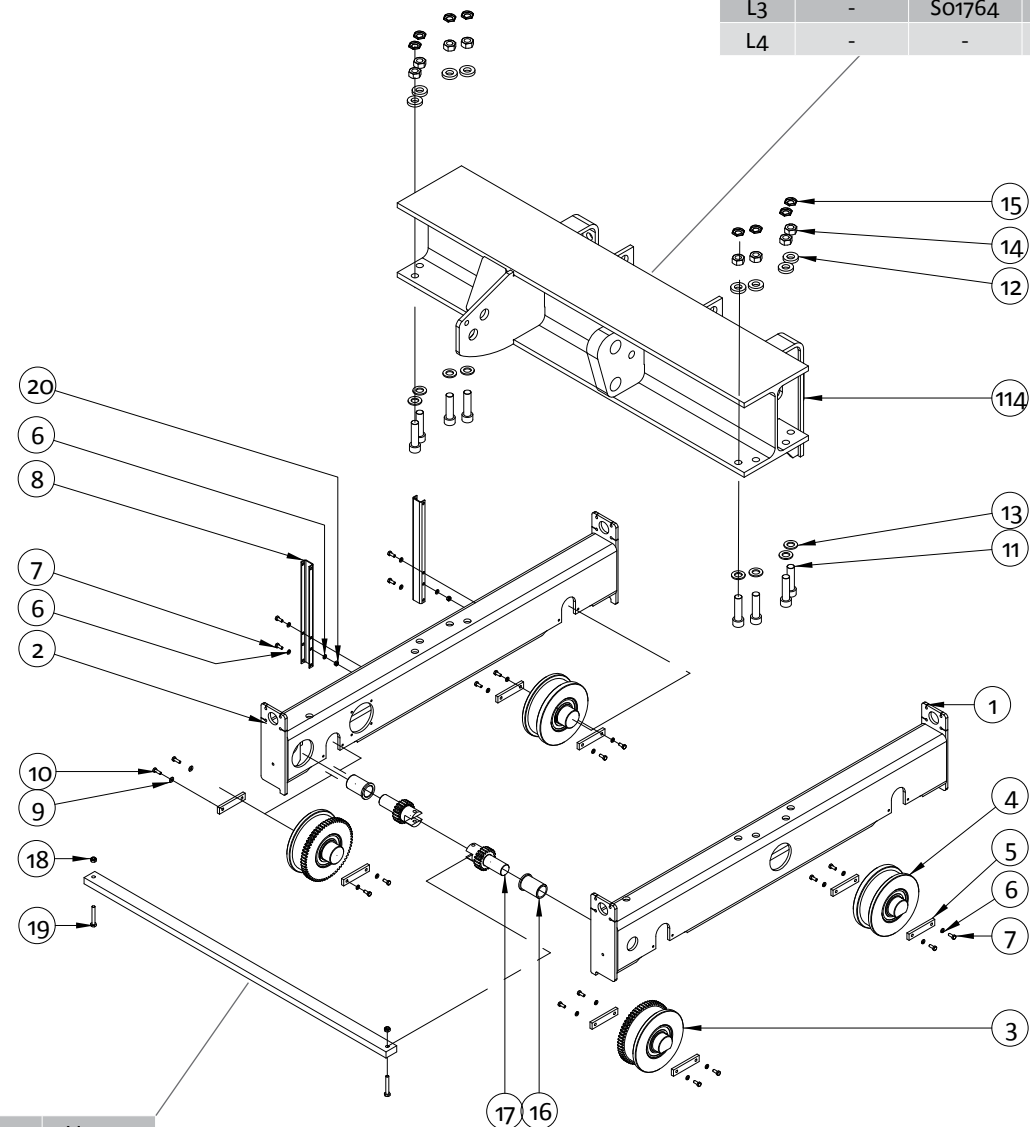
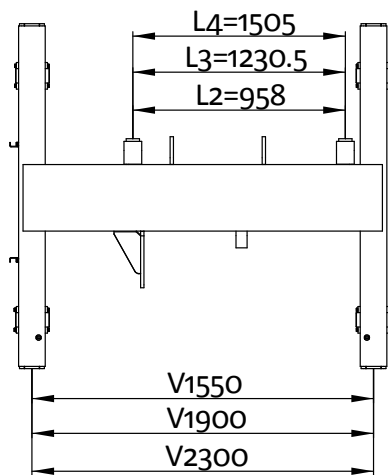
MOTOREDUCTEUR DE DIRECTION / TRAVERSING GEARMOTOR		
	400V/50HZ (480V/60HZ)	380V/60HZ
16/4 m/min	S003873	S003876
20/5 m/min	S003874	S003878
variation	S003809	S003809



TH BIRAIL - CHARIOT / TROLLEY

REFERENCES			
	V1550	V1900	V2300
L2	S001799	S001800	S001801
L3	-	S001802	S001803
L4	-	-	S001804

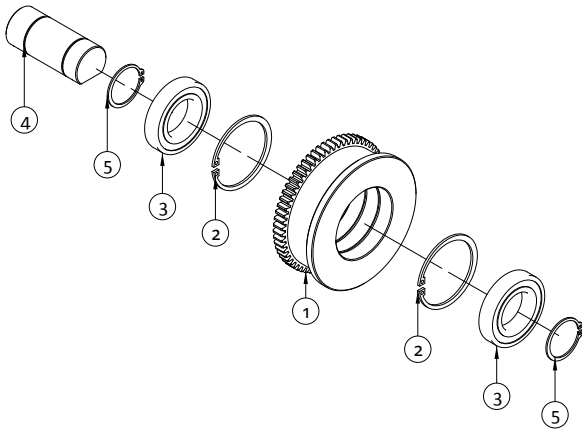
	V1550	V1900	V2300
L2	S001767	S001766	S001765
L3	-	S01764	S001863
L4	-	-	S001518



REP MARK	REFERENCES	QTE QTY	REP MARK	REFERENCES	QTE QTY
1	S001503	1	11	LB00841	8
2	S001504	1	12	S001483	8
3	S001759	2	13	LJ3077	8
4	S001757	2	14	LH7070	8
5	DP2422	8	15	LH7056	8
6	LJ7322	22	16	S001725	2
7	LA7021	18	17	S001719	2
8	S001727	2	18	LH7177	2
9	LJ7304	2	19	LA00172	2
10	LA7354	2	20	LH7062	4

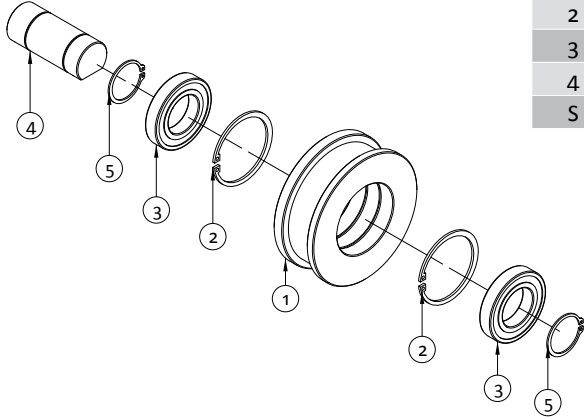
V1550	V1900	V2300
S001232	S001959	S001960

GALET MOTEUR - MOTOR WHEEL REFERENCE S001759



REP MARK	REFERENCES	QTE QTY
1	S001755	1
2	LS7405	2
3	FA4888	2
4	S001756	1
S	LS7403	2

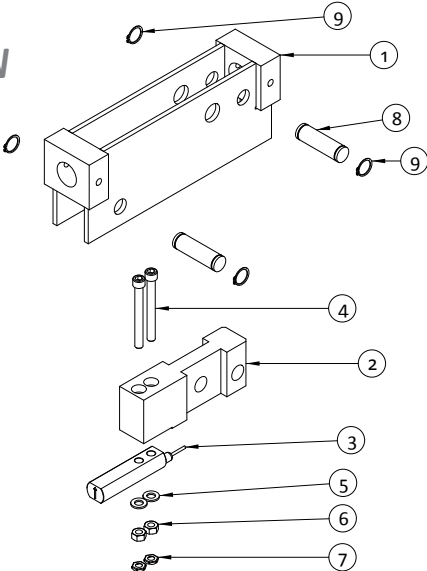
GALET FOU - FREE WHEEL REFERENCE S001757



REP MARK	REFERENCES	QTE QTY
1	S001754	1
2	LS7405	2
3	FA4888	2
4	S001756	1
S	LS7403	2

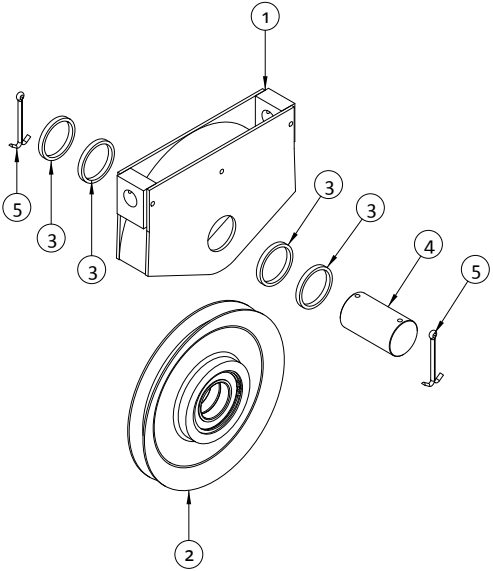
TH BIRAIL - TRAVERSE / ROPE

TRAVERSE DE POINT FIXE ROPE ANCHORAGE SUSPENSION REFERENCE S001685



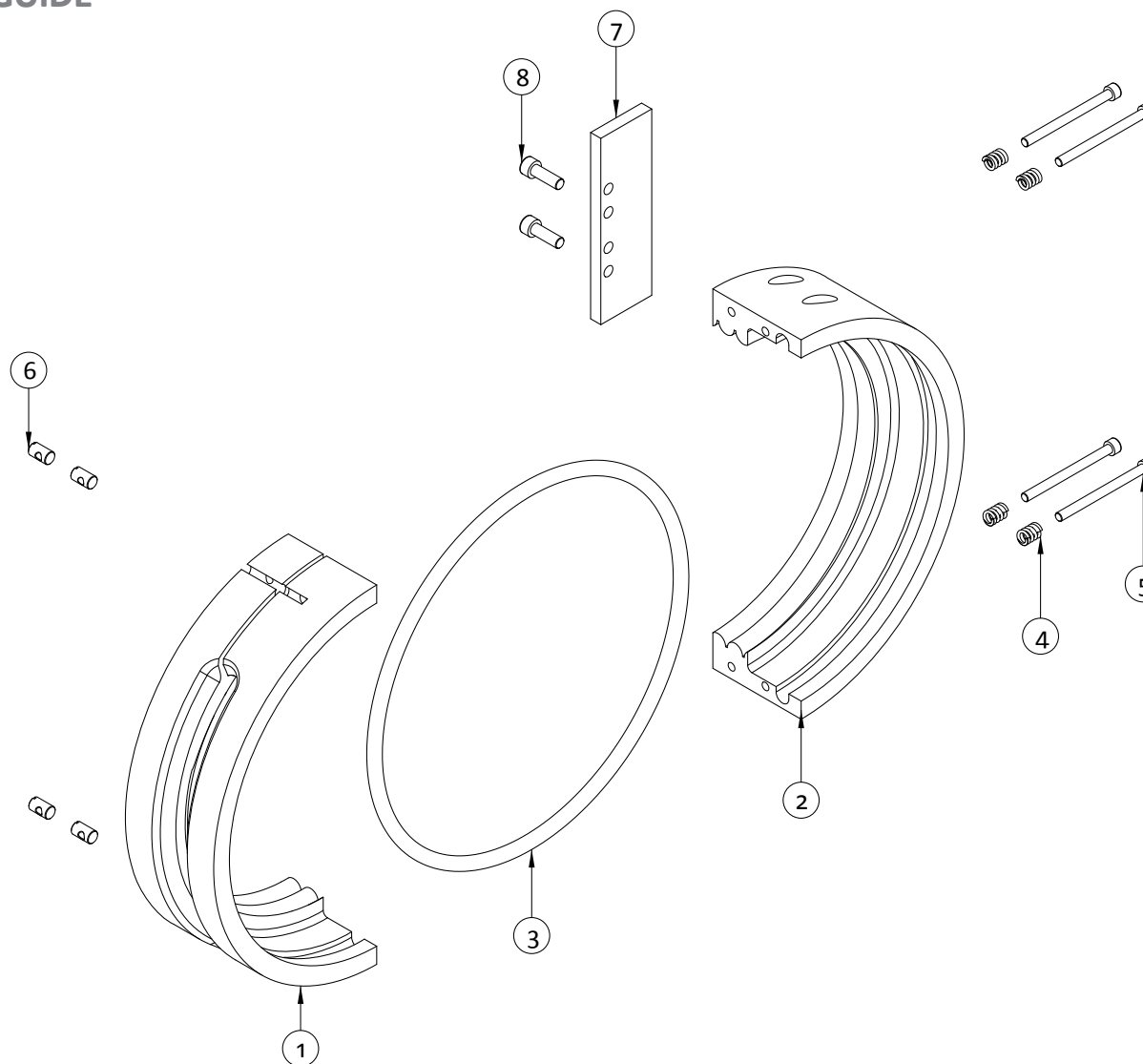
REP MARK	REFERENCES	QTE QTY
1	S001637	1
2	S001582	1
3	YC2802	1
4	S001579	2
5	LJ7193	2
6	S000951	2
7	LH7051	2
8	S001665	2
9	LS7215	4

TRAVERSE DE RENVOI ROPE SHEAVE UNIT FOR 4/1 REEVING REFERENCE S001688



REP MARK	REFERENCES	QTE QTY
1	S001657	1
2	EC3531	1
3	S001658	4
4	DC3524	1
S	LR3526	2

GUIDE CABLE - ROPE GUIDE REFERENCE S001846

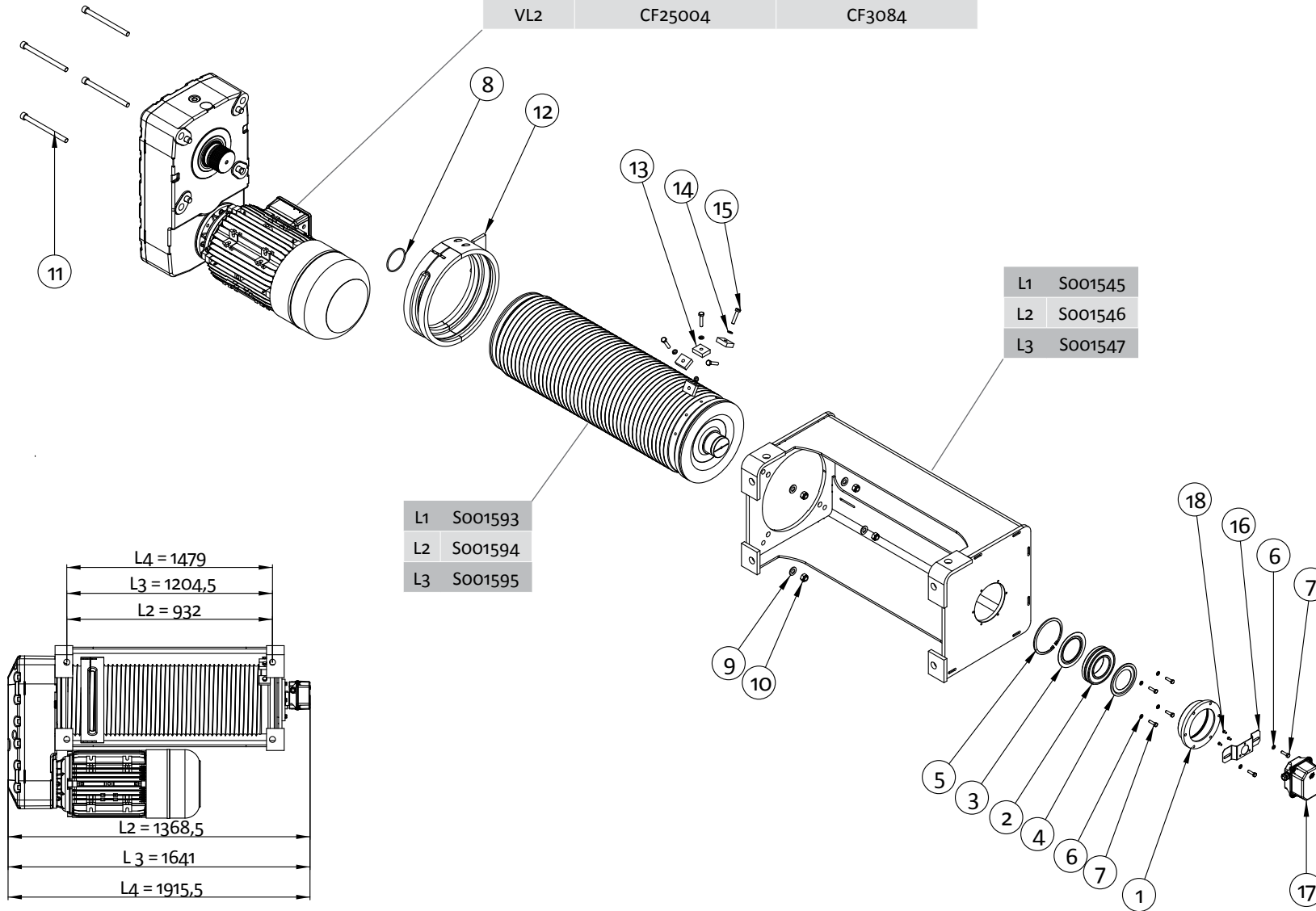


REP MARK	REFERENCES	QTE QTY
1	S001578	1
2	S001578	1
3	MF3506	1
4	MF3088	4
5	LB00529	4
6	S000868	4
7	S001663	1
8	LB7009	2

TH BIRAIL - UNITE DE LEVAGE / LIFTING UNIT

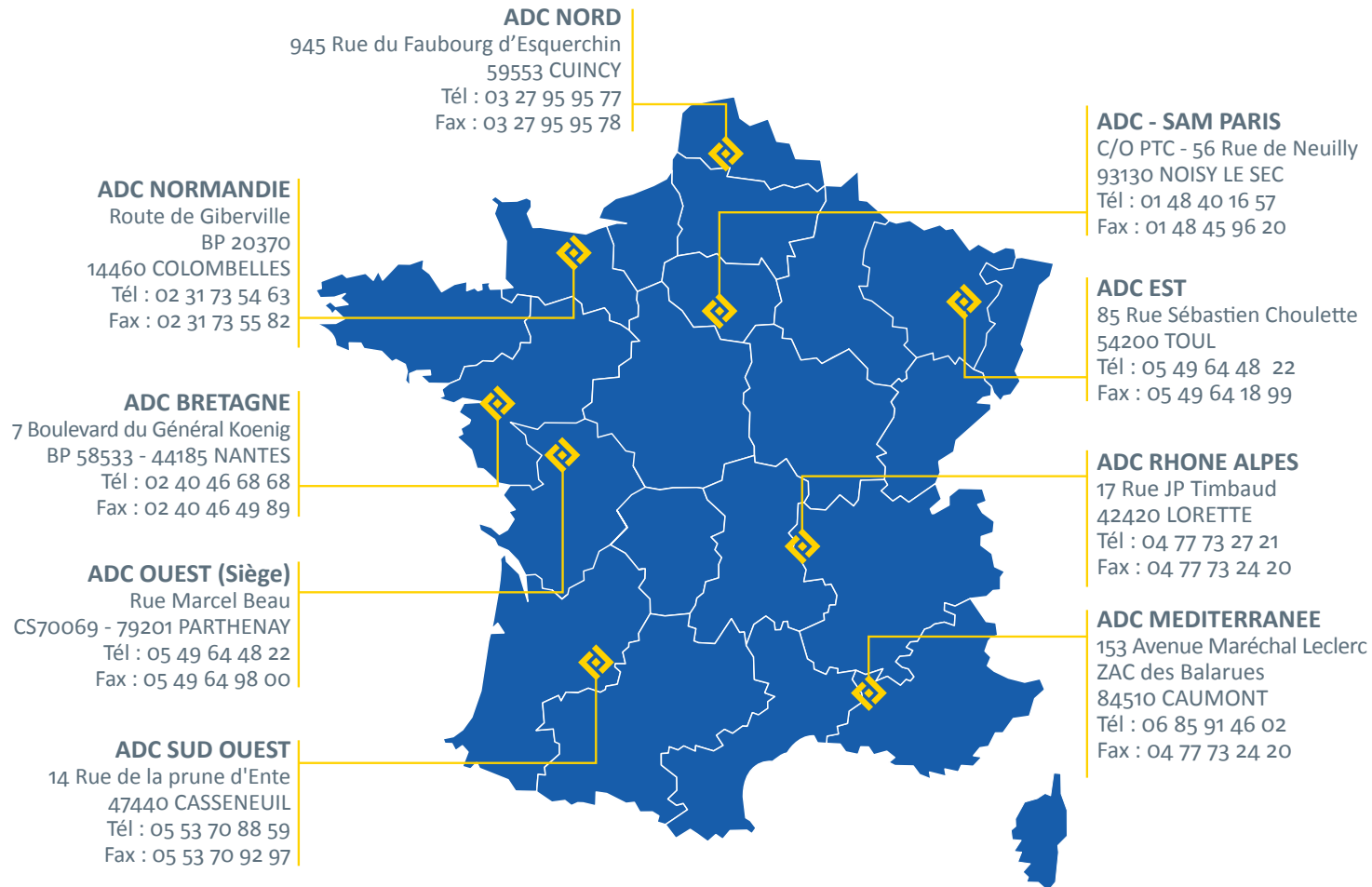
MOTOREDUCTEUR DE LEVAGE / HOISTING GEARMOTOR		
	400V/50HZ(480V/60HZ)	380V/60HZ
VL1	CF25002	S001905
VL2	CF25004	CF3084

REP MARK	REFERENCES	QTE QTY
1	S001550	1
2	Fl00731	1
3	S001367	1
4	S001366	1
5	LS7571	1
6	LJ7322	6
7	LA7006	6
8	S001481	1
9	LJ7289	4
10	LH00069	4
11	LB007211	4
12	S001846	1
13	DB3510	4
14	LJ7323	4
15	LA7357	4
16	S001065	1
17	YD11600	1
18	LA0027	3



ADC un réseau de services de proximité

ADC after sales department



ADC
FAYAT GROUP

Rue Marcel Beau
CS70069 / 79 201 PARTHENAY CEDEX FRANCE
Tél. : +33 (0) 5 49 64 48 22 / Fax : +33 (0) 5 49 64 18 99
www.adc.fr / adc@adc.fr